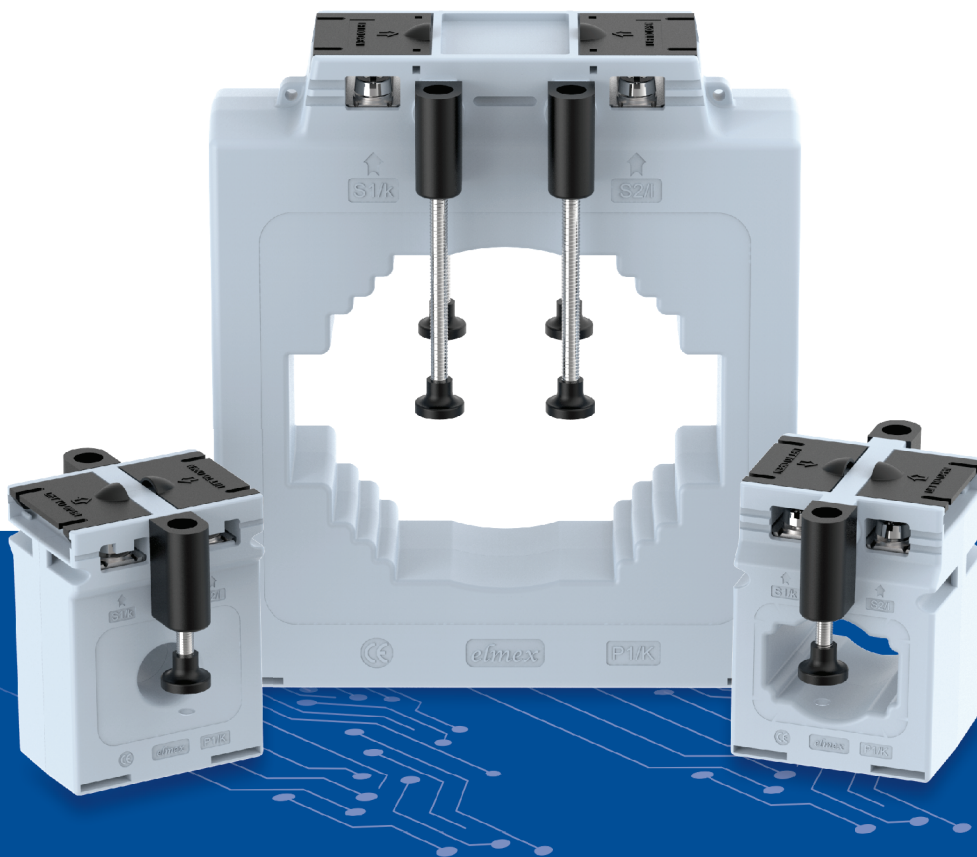




since 1963

Converging  
Innovations  Expanding  
Solutions

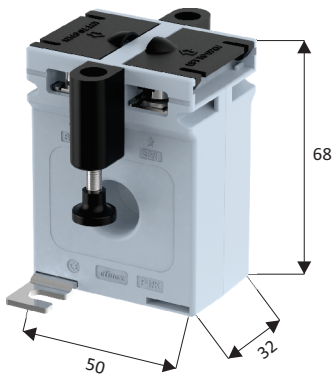


Price List 2026



Solution for  
Metering & Protection

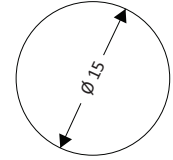
## ELP1 (E 15.3)



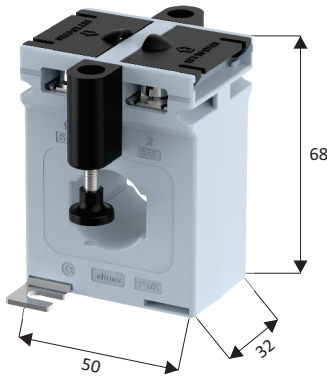
Class	1.0		3.0	
	VA	List Price	VA	List Price
30/5	-	-	1.5	425
40/5	1	425	-	-
50/5	1.5	475	-	-
60/5	1.5	450	-	-

Din Rail Mounting Option Available

1C Cable Size	Bus Bar Size
Up to 70 sq.mm	-



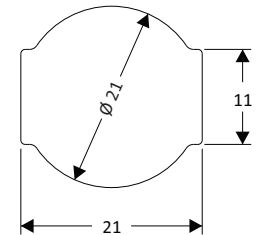
## ELP2 (E 21.3)



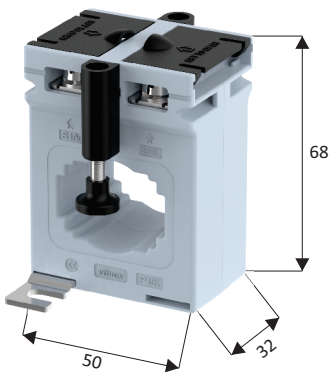
Class	1.0		3.0	
	VA	List Price	VA	List Price
30/5	-	-	1.5	400
50/5	1	385	2.5	400
60/5	1	385	2.5	400
100/5	2.5	400	-	-
150/5	5	420	-	-
160/5	5	420	-	-

Din Rail Mounting Option Available

1C Cable Size	Bus Bar Size
Up to 150 sq.mm	20x10 mm



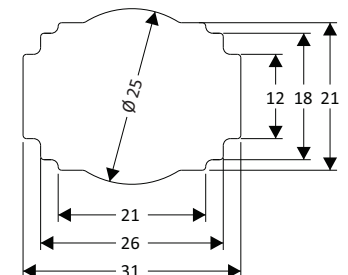
## ELP3 (E 31.3)



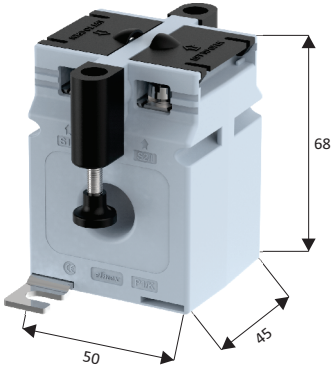
Class	1.0		3.0	
	VA	List Price	VA	List Price
50/5	-	-	1.5	340
60/5	-	-	1.5	340
75/5	-	-	2.5	350
100/5	1.5	375	-	-
150/5	2.5	400	-	-
200/5	3.75	425	-	-
250/5	3.75	425	-	-
300/5	3.75	425	-	-
400/5	5	450	-	-

Din Rail Mounting Option Available

1C Cable Size	Bus Bar Size
Up to 240 sq.mm	30x10 mm
-	25x10 mm



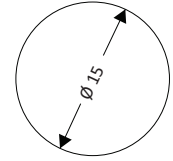
## ELPG1 (EG 15.4)



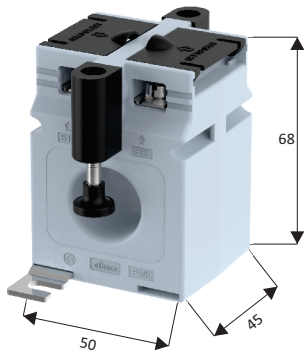
Class	1.0	
Ratio	VA	List Price
30/5	1	675
60/5	3.75	675

Din Rail Mounting Option Available

1C Cable Size	Bus Bar Size
Up to 70 sq.mm	-



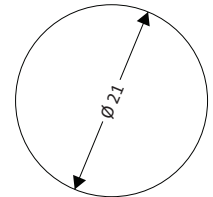
## ELPG2 (EG 21.4)



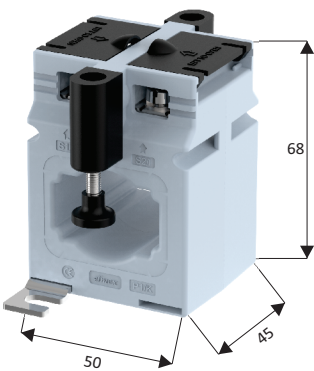
Class	0.5		1.0	
Ratio	VA	List Price	VA	List Price
50/5	1	600	1.5	550
100/5	-	-	5	650

Din Rail Mounting Option Available

1C Cable Size	Bus Bar Size
Up to 150 sq.mm	-



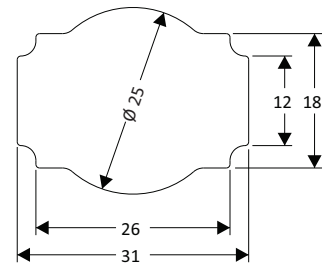
## ELPG3 (EG 31.4)



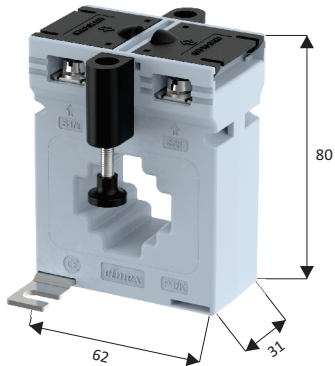
Class	0.5		1.0		3.0	
Ratio	VA	List Price	VA	List Price	VA	List Price
50/5	-	-	-	-	2.5	425
60/5	-	-	1	450	-	450
75/5	1	500	1.5	475	-	-
100/5	2.5	550	3.75	525	-	-
125/5	2.5	500	5	550	-	-
150/5	2.5	525	5	550	-	-
160/5	-	-	5	525	-	-
200/5	3.75	500	5	500	-	-
250/5	5	575	5	525	7.5	550
400/5	-	-	5	525	-	-

Din Rail Mounting Option Available

1C Cable Size	Bus Bar Size
Up to 240 sq.mm	30x10 mm
-	25x10 mm



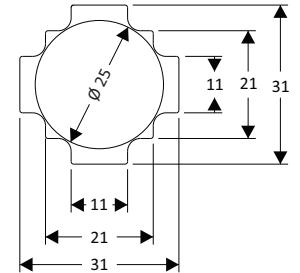
## ELPH2 (EH 31.3)



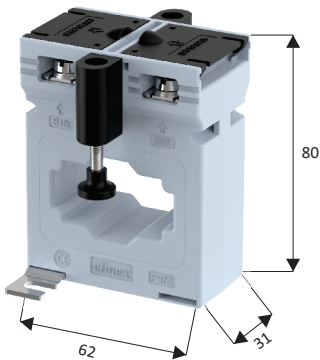
Class	0.5		1.0				3.0				5.0	
	VA	List Price	VA	List Price	VA	List Price	VA	List Price	VA	List Price	VA	List Price
50/5	-	-	1	525	-	-	-	-	-	-	-	-
60/5	-	-	1.25	525	-	-	-	-	-	-	-	-
75/5	-	-	-	-	-	-	-	-	-	-	1.5	425
100/5	-	-	3.75	525	-	-	5	525	7.5	540	-	-
125/5	-	-	5	525	-	-	-	-	-	-	-	-
150/5	-	-	5	540	-	-	5	525	-	-	-	-
160/5	-	-	5	540	-	-	-	-	-	-	-	-
200/5	2.5	525	5	550	-	-	-	-	-	-	-	-
250/5	-	-	5	550	7.5	575	-	-	-	-	-	-

Din Rail Mounting Option Available

1C Cable Size	Bus Bar Size
Up to 240 sq.mm	30x10 mm
-	20x20 mm



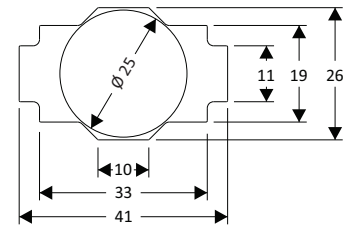
## ELPH3 (EH 41.3)



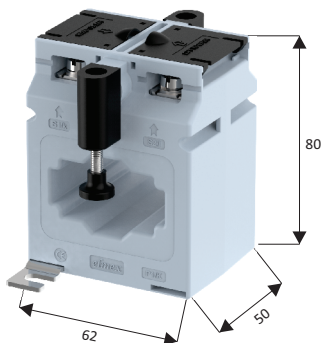
Class	0.5		1.0	
	VA	List Price	VA	List Price
100/5	-	-	1.5	475
125/5	-	-	1.5	475
150/5	-	-	2.5	475
200/5	-	-	2.5	480
250/5	2.5	500	3.75	475
300/5	2.5	440	3.75	500
400/5	3.75	475	5	475
500/5	-	-	7.5	475

Din Rail Mounting Option Available

1C Cable Size	Bus Bar Size
Up to 240 sq.mm	40x10 mm
-	30x15 mm
-	20x10 mm



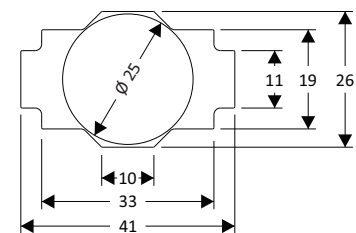
## ELPHN3 (EHN 41.5)



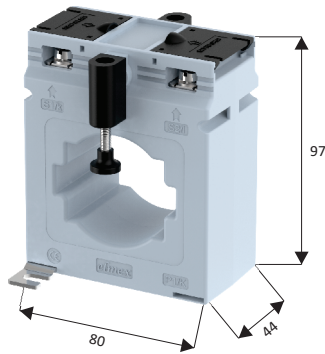
Class	1.0						
	Ratio	VA	List Price	VA	List Price	VA	List Price
200/5	5	550	-	-	-	-	-
250/5	5	475	7.5	530	-	-	-
300/5	10	575	-	-	-	-	-
400/5	5	500	10	550	15	580	-
600/5	10	525	15	625	-	-	-

Din Rail Mounting Option Available

1C Cable Size	Bus Bar Size
Up to 240 sq.mm	40x10 mm
-	30x15 mm
-	20x10 mm

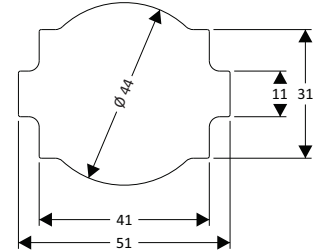


## ELPIM3 (EIM 51.4)

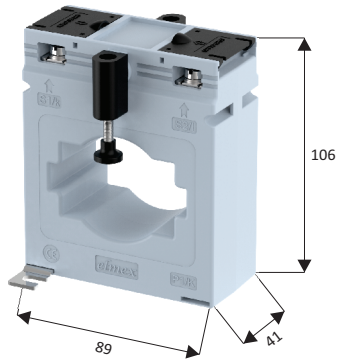


Class	1.0			
Ratio	VA	List Price	VA	List Price
250/5	5	680	-	-
300/5	5	625	-	-
400/5	10	700	-	-
600/5	10	725	15	800
800/5	15	915	-	-

1C Cable Size	Bus Bar Size
Up to 630 sq.mm	50x10 mm
-	2x40x10 mm
-	2x30x10 mm

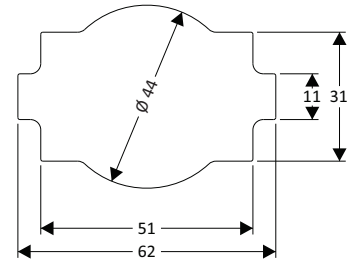


## ELPJ3 (EJ 62.4)

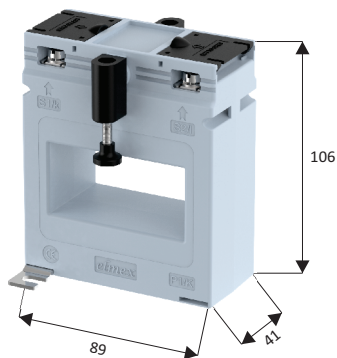


Class	0.5	
Ratio	VA	List Price
250/5	-	-
500/5	-	-
600/5	7.5	750
800/5	10	675

1C Cable Size	Bus Bar Size
Up to 630 sq.mm	60x10 mm
-	2x50x10 mm



## ELPJ4 (EJ 62\*2.4)

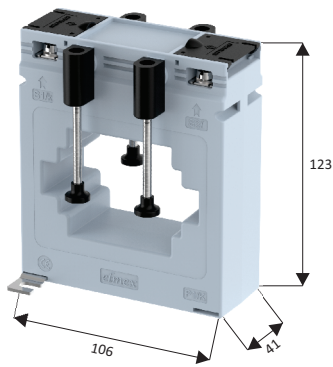


Class	1.0			
Ratio	VA	List Price	VA	List Price
200/5	5	725	-	-
250/5	5	680	7.5	735
300/5	5	650	7.5	770
400/5	5	650	-	-
500/5	10	700	15	750
600/5	10	750	15	900
800/5	10	825	20	1000
1000/5	25	1050	-	-
1200/5	30	1275	-	-
1600/5	30	1410	-	-

1C Cable Size	Bus Bar Size
Up to 300 sq.mm	2x60x10 mm
-	2x50x10 mm

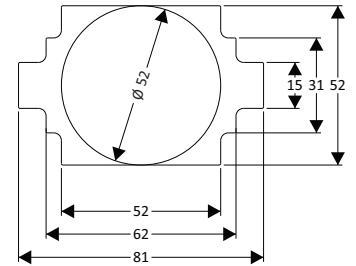


## ELPL2 (EL 81.4)

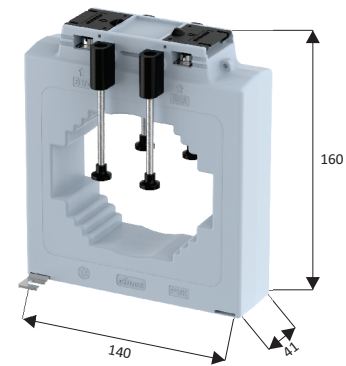


Class	1.0	
Ratio	VA	List Price
600/5	10	875
800/5	15	975
1000/5	15	1025

1C Cable Size	Bus Bar Size
Up to 1000 sq.mm	80x12 mm
-	2x60x10 mm
-	3x50x10 mm

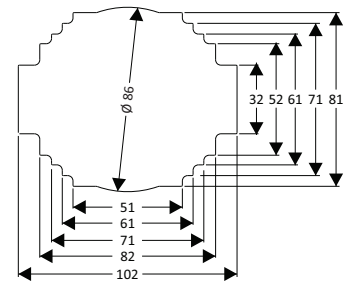


## ELPM2 (EM 102\*2.4)

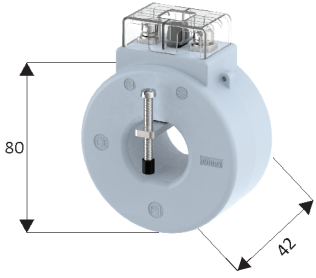


Class	1.0	
Ratio	VA	List Price
800/5	20	1410
1000/5	20	1280
1200/5	15	1300
1600/5	25	1530

1C Cable Size	Bus Bar Size
Up to 1000 sq.mm	2x100x10 mm
-	3x80x10 mm
-	3x70x12 mm
-	4x60x10 mm
-	4x50x10 mm

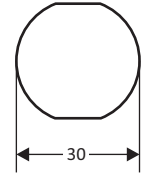


## EOPA

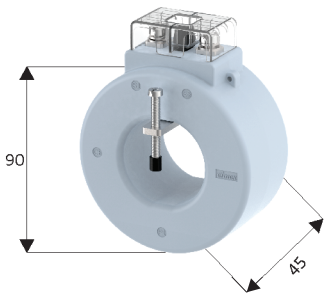


Class	0.5		1.0	
	VA	List Price	VA	List Price
100/5	5	950	5	665
125/5	5	785	5	625
150/5	-	-	5	500

1C Cable Size	Bus Bar Size
Up to 300 sq.mm	25x12 mm
-	25x10 mm
-	20x10 mm

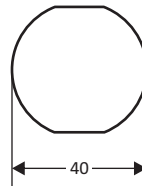


## EOPB

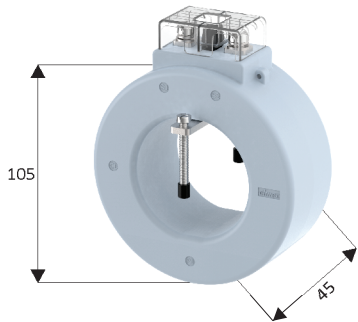


Class	0.5		1.0	
	VA	List Price	VA	List Price
125/5	-	-	5	710
150/5	-	-	5	600
200/5	5	690	5	510
250/5	5	580	5	525

1C Cable Size	Bus Bar Size
Up to 630 sq.mm	30x15 mm
-	30x12 mm
-	30x10 mm

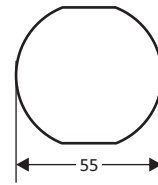


## EOPC

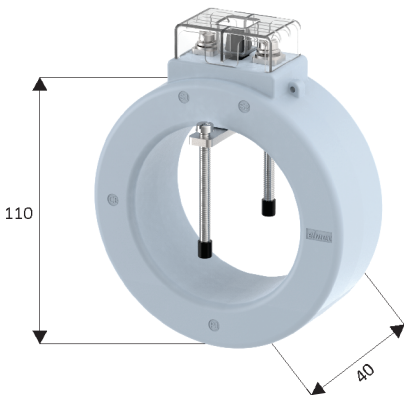


Class	0.5			1.0		
	VA	List Price	VA	List Price	VA	List Price
200/5	-	-	5	630	-	-
250/5	-	-	5	600	-	-
300/5	-	-	5	600	-	-
400/5	5	610	5	530	10	710
500/5	5	625	-	-	-	-
600/5	5	625	-	-	-	-
630/5	5	625	-	-	-	-

1C Cable Size	Bus Bar Size
Up to 1000 sq.mm	50x15 mm
-	2x40x12 mm

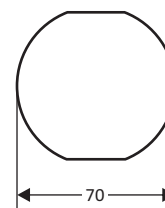


## EOPD

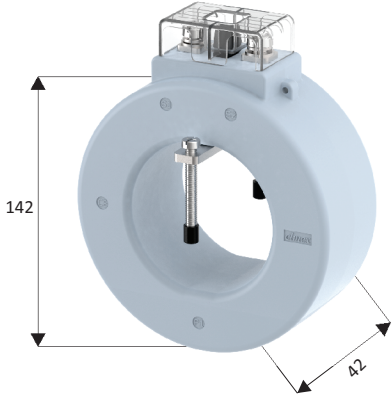


Class	0.5		1.0			
	VA	List Price	VA	List Price	VA	List Price
500/5	-	-	5	610	-	-
600/5	-	-	5	610	10	650
800/5	5	650	10	610	-	-

1C Cable Size	Bus Bar Size
Up to 1000 sq.mm	2x60x10 mm
-	2x50x15 mm
-	3x40x10 mm

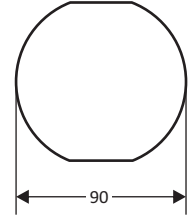


## EOPE

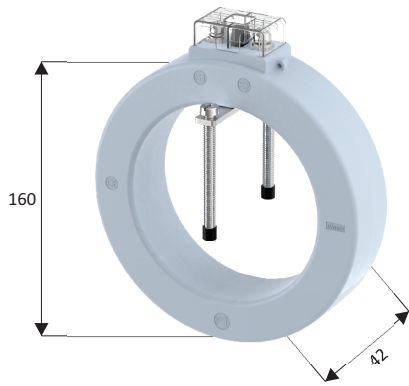


Class	0.5		1.0	
	VA	List Price	VA	List Price
800/5	-	-	10	710
1000/5	5	730	-	-
1250/5	5	850	-	-
1600/5	5	1065	-	-

1C Cable Size	Bus Bar Size
Up to 1000 sq.mm	2x80x12 mm
-	3x70x10 mm
-	3x60x12 mm
-	3x50x10 mm
-	3x40x15 mm

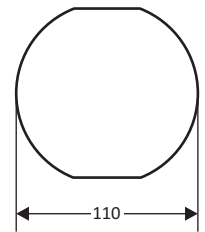


## EOPF



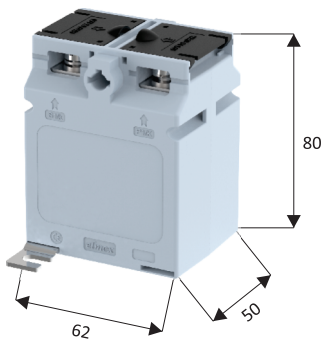
Class	1.0	
	VA	List Price
1000/5	15	1000
1250/5	15	1030
1600/5	15	1210
2000/5	15	1410

1C Cable Size	Bus Bar Size
Up to 1000 sq.mm	2x100x12 mm
-	3x90x12 mm
-	4x80x10 mm
-	4x70x10 mm
-	4x60x12 mm



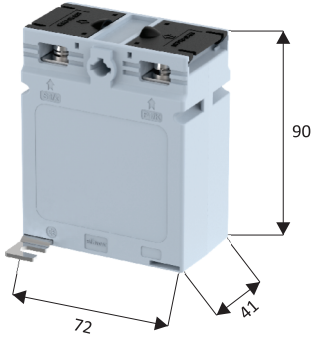
# Polycarbonate Encapsulated Wound Primary Type Series

## EWPHN (EWN 62/5)



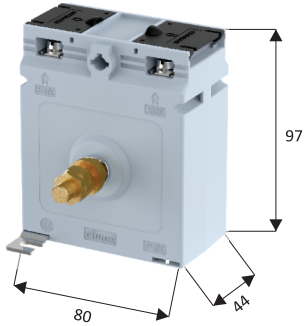
Class	0.5		1.0			
	VA	List Price	VA	List Price	VA	List Price
5/5	-	-	5	750	-	-
10/5	-	-	5	720	-	-
15/5	-	-	5	720	-	-
20/5	-	-	5	720	-	-
25/5	5	785	5	730	10	860
30/5	5	800	5	720	10	925

## EWPA (EWA 72/4)



Class	1.0	
Ratio	VA	List Price
5/5	15	1050
10/5	15	1165
15/5	15	1165

## EWPB (EWB 80/4)



Class	1.0			
Ratio	VA	List Price	VA	List Price
40/5	5	900	-	-
50/5	5	1075	-	-
60/5	5	1075	15	1240

## Advantages of 'elmex' Polycarbonate Encapsulated CTs

- Superior Aesthetics and Consistency of Dimensions
- Multiple Conductor Compatibility: Suitable for different size of Bus bars / conductors in the same CT
- Multiple Mounting Options: Suitable for Bus Bar Mounting as well as Panel Mounting
- Fire Retardant
- Embossed terminal Markings: Eliminates the risk of marking stickers peeling off
- Robust Construction: High Mechanical strength resulting in increased safety during transit
- Option of Terminal sealing: Provides protection from power theft
- Manufactured with State-of-Art processes complying to ISO:14001 and RoHS directive
- Ease of traceability

### Certificate and Approvals





**Elmex Controls Pvt. Ltd. | Elmex Electric Pvt. Ltd.**

12, GIDC Estate, Makarpura, Vadodara -390010, Gujarat, India

☎ 0265-2642021 / 23

✉ marketing@elmex.net

🌐 www.elmex.net



Scan for Website



[in](#) ElmexControls | [f](#) ElmexControls | [X](#) ElmexControls | [@](#) ElmexControls | [v](#) ElmexControls

TECHNICAL SPECIFICATIONS MAY CHANGE IN LINE WITH TECHNICAL ADVANCES AND INDUSTRY STANDARDS.